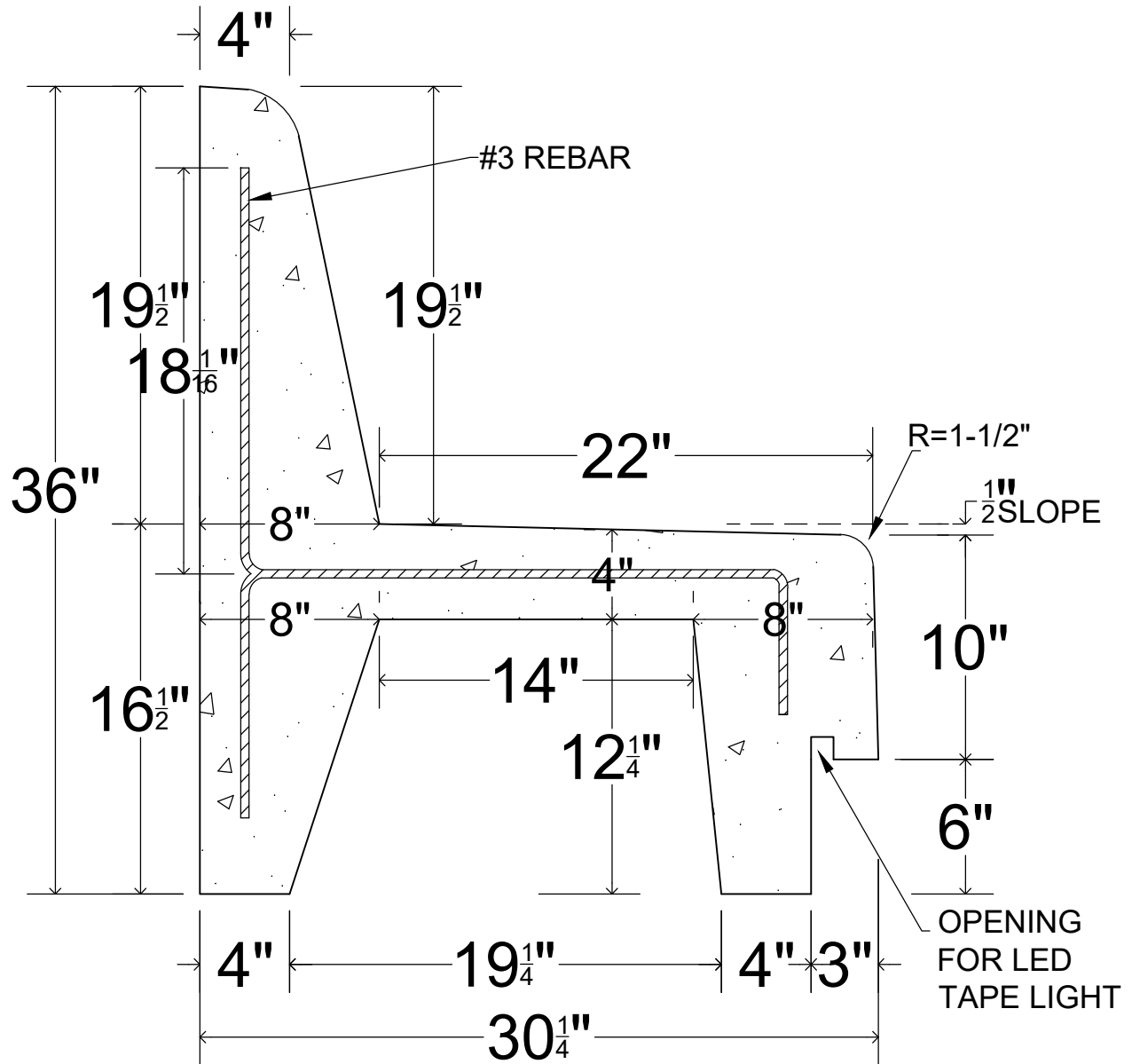


"A" CROSS SECTION



SUNCOAST STONE, INC.

Custom Architectural Stone